

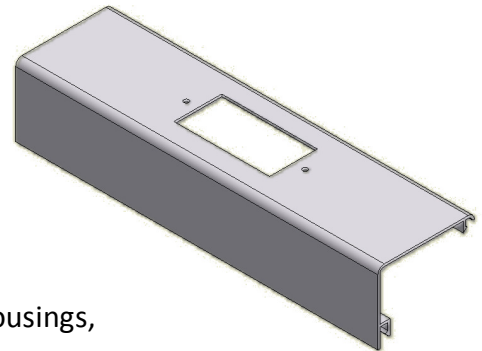
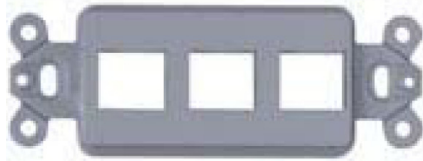
Application Briefs – Plug-In Raceway



Data Options

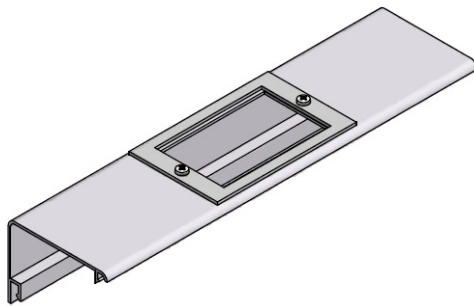
The data raceway outlet cover piece is available with various styles of cutouts. The cutouts allow the end user to select from a variety of housings and modules. The design of the cover piece offers quick and easy front-access installation for superior flexibility of the overall system.

Cutout style C1



- Cutout C1 measures 2.64" x 1.320" with mounting hole spacing of 3.28"
- The C1 Cutout is designed to accept ALLEN TEL: Two & Three Port Housings, also BLACK BOX: Impresa Inserts, or other manufacturer equivalent.
- Able to accept a wide variety of Data, Audio/Video, and Fiber Jacks.

Cutout style C2



In certain communication installations, the use of Cat 6 Augmented may be necessary to mount the Jacks at an angle to decrease the bend radius that is required to properly connect the cable to the connector. This is where the C2 Cutout is utilized. The C2 cutout is designed to accept angled modules, making it possible to meet bend radius requirements while maintaining the sleek design of the raceway.

- The C2 Cutout is designed to accept HUBBELL and BLACK BOX Modules or other manufacturer equivalent.
- The C2 cutout is sized to accept two modules. If only 1 module is required blanks are available to fill the empty slot.
- Modules are available as flat, angled, recessed angled, and blank.
- Modules accept a wide variety of Data, Audio/Video, and Fiber Jacks.



Application Briefs – Plug-In Raceway



Fill Table

The Plug-In Raceway Fill Table is a guide to determine the number of conductors allowed inside of the raceway for various cables. 40% cable fill is the maximum cable fill allowed by NEC.

		VOICE		DATA (Copper Cables)			DATA (Multimode Fiber Optic)				
		4-Pair	25-Pair	Type RG59U	Category 5e	Category 6	Augmented Cat 6	2/4 Fiber Round Cable	Fiber Optic Jumpers	Fiber Optic Zip Cord	
		Wire O.D.	0.19	0.41	0.242	0.21	0.25	0.35	0.19	0.118	.12 X.24
		Area (sq. in)	0.0283	0.132	0.046	0.0346	0.0491	0.0962	0.0283	0.0109	0.0288
		Barrier Channel Area	Number of Wires to fill 40% of Channel								
SB20	center	4.4	62	13	38	51	36	18	62	161	61
SB40											
SB60											

NOTE: Wire diameters can vary depending on manufacturer.